

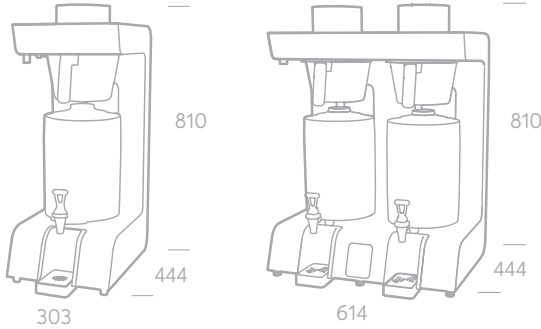


<p>JET 6 2.8KW 1000851 JET 6 5.6KW 1000850</p>	<p>JET TWIN 1000855</p>	<p>DIMENSIONS</p>
		
<ul style="list-style-type: none"> • Single (6 litre) or Twin (12 litre) options • Pre-set recipe and volume options for morning, afternoon and evening • Variable batch volumes • Basket safety lock during brewing 		<ul style="list-style-type: none"> • Operator friendly and easy-to-use • Vacuum insulated urn for energy-efficiency and temperature retention • Two power options

PRECISE, PROGRAMMABLE BATCH BREWER FOR HIGHER VOLUME REQUIREMENTS.

ACCESSORIES

NAME ORDER CODE	DIMENSIONS (D x W x H mm)
Jet Grinder 1000891	370 x 188 x 559
Jet Urn 1700204	420 x 245 x 570
Jet Filter Papers - Case of 500 8000151	

PACKAGING

NAME ORDER CODE	PACKED WEIGHT	PACKAGING DIMENSIONS (L x W x H mm)	QUANTITY PER PALLET
Jet 6 2.8kW 1000851	24kg	500 x 400 x 900	6
Jet 6 5.6kW 1000850	24kg	500 x 400 x 900	6
Jet Twin 1000855	28kg	500 x 710 x 920	2
Jet Grinder 1000891	25kg	580 x 300 x 800	12
Jet Urn 1700204	7kg	640 x 310 x 440	16

ASSOCIATED PRODUCTS (SOLD SEPARATELY)

REQUIRED	OPTIONAL
<p>JET URN 1700204</p> 	<p>JET GRINDER 1000891</p> 

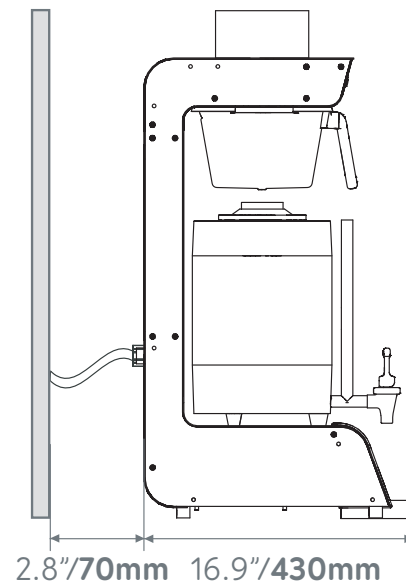
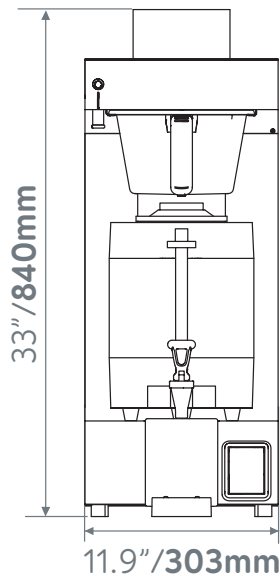
BREWERS

NAME ORDER CODE	POWER @ 230V	FULL BREW	DIMENSIONS (D x W x H mm)	PLUMBING REQS
Jet 6 2.8kW 1000851	2.8kW	6 L	462 x 303 x 840	3/4" BSP
Jet 6 5.6kW 1000850	5.6Kw	6 L	462 x 303 x 840	3/4" BSP
Jet Twin 1000855	5.6Kw	6 L (per urn)	462 x 614 x 837	3/4" BSP

JET 6 BATCH BREWER

JET 6 2.8KW 1000851

JET 6 5.6KW 1000850



VENTILATION REQUIREMENTS

- Back: 70mm/2.7"
- Sides: 50mm/1.9"

Clearance required around machine if installed in an enclosed cabinet.

ELECTRICAL INSTALLATION PROCEDURE

1000850 - 5.6kW/200-230V ac

When installing the machine, always observe the local regulations and standards. The 5.6kw machine is supplied with a three core electrical cord and should be connected to a 30 amp dedicated socket. For EU models a 2-pin CEE-7 plug will be supplied. US models will be supplied with the suitable plug. A suitable mains power supply socket should be available within easy access of the appliance so that it can be disconnected easily after install.

1000851 - 2.8kW/200-230V ac

When installing the machine, always observe the local regulations and standards. The standard machine is supplied with a UK 3-pin plug. For EU models a 2-pin CEE-7 plug will be supplied. US models will be supplied with the

suitable plug. A suitable mains power supply socket should be available within easy access of the appliance so that it can be disconnected easily after install.

PLUMBING INSTALLATION PROCEDURE

- Ensure that the equipment is installed according to local plumbing & water regulations.
- Mains water pressure required (limits): 14.5 - 145psi (100 - 1000kPa, 0.1 - 1MPa).
- Requires inline water filter within your water specifications.
- The machine is supplied with a 3/4" BSP connection.
- Turn on the water to flush any impurities, dust etc from the inlet hose and water pipe. Allow several litres through. Especially for new installations.
- Connect the hose to the inlet valve of the boiler. Make sure a sealing washer is fitted.
- Turn on water and check for leaks.
- The SP9 Head has a drip tray attached with a drain outlet which should be plumbed to waste.