



COLDBRU

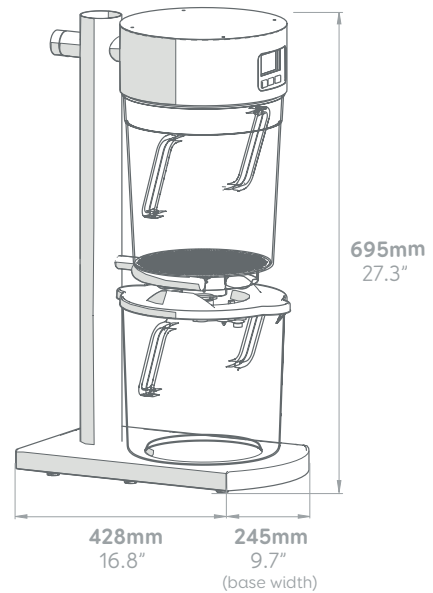
The quickest, easiest, most consistent way to brew ready-to-drink or concentrate coffee.

- > Average 19% extraction and 4% TDS (up to 30% better yield than leading competitor)
- > Easy to clean with no paper filters
- > Average brew time of 3 hours
- > Input and save up to 3 recipes for ease and consistency

COLDBRU
1000950



DIMENSIONS



SPECS

| NAME ORDER CODE | DIMENSIONS INCL. HANDLES (D x W x H mm) | PLUMBING REQS | POWER REQS | WEIGHT |
|--------------------|--|------------------------------------|--------------|--------|
| ColdBRU 1000950 | 428 x 323 x 695 | 1/4" Pushfit or 3/4" BSP Female | 230V 50/60Hz | 11 kg |

PACKAGING

| NAME ORDER CODE | PACKAGING DIMENSIONS (D x W x H mm) | PACKED WEIGHT | QTY / PALLET |
|--------------------|--|---------------|--------------|
| ColdBRU 1000950 | 490 x 400 x 900 | 12.2kg | 6 |